



# Overhead Cassetted Blinds

Overhead Cassetted Blinds



## C56T Overhead Crank

### Features:

Smooth operation and complete control is what makes the C56T overhead cassetted blind so inspiring. The 1:5 gear control crank mechanism allows you to easily operate the blind, and the fabric is held in place in the side channels. This blind is drawn across the window by tensioned spring units on the bottom bar and the powder-coated aluminium headbox is slim and discreet, making it ideal for buildings looking for a stylish overhead blind. The C56T can be made to a maximum size of 3m X 3m.

### Benefits:

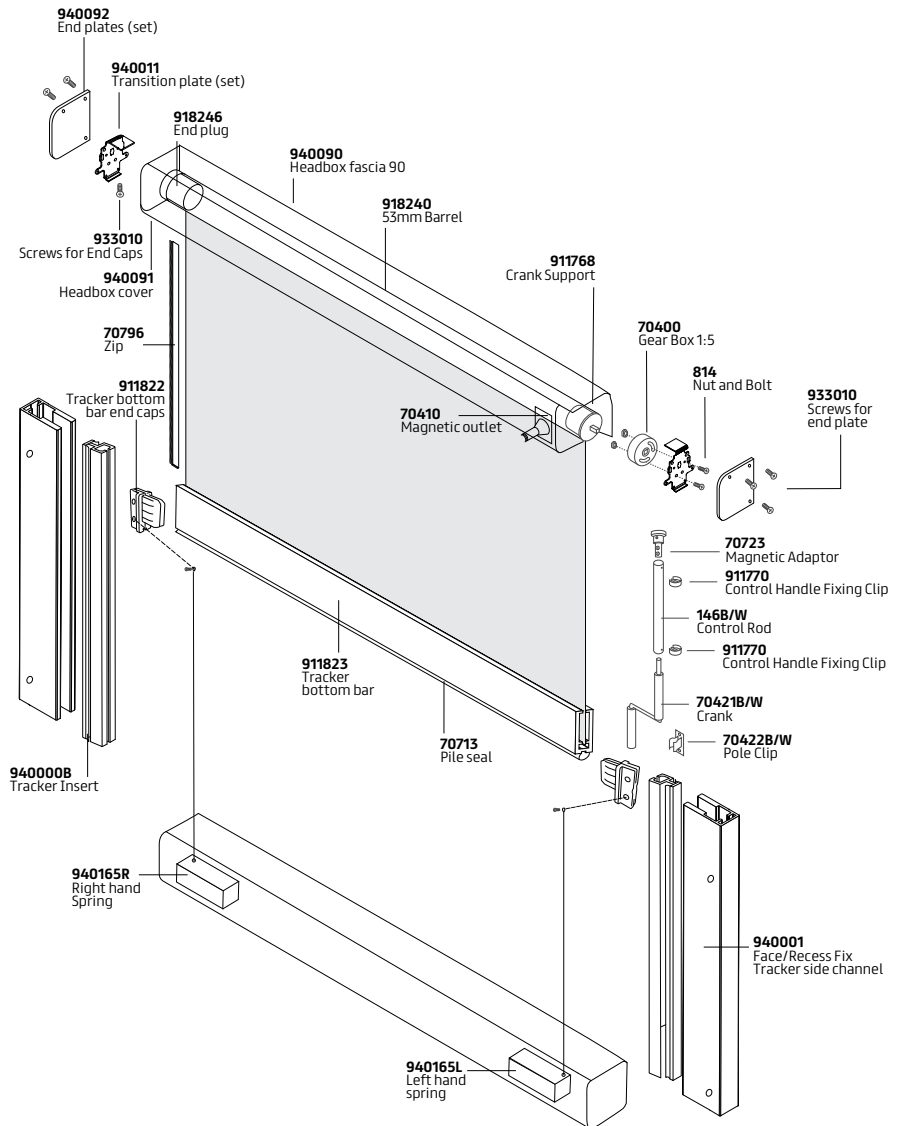
The C56T overhead cassetted blind is a diverse, bracketless shading solution that provides control over the amount of light entering a large overhead window. However, unlike other overhead blinds, this solution is discreet. The headbox and sidechannels are slim and available in black or white powder-coated aluminium, and operation is quiet and smooth and the fabric is held tight across the blind, eliminating sagging. The robust, detachable crank and vandal resistant 1:5 gear control crank mechanism makes this blind ideal for a multitude of contract applications.

### Options:

Black or white hardware, fixed crank. It is recommended that only the following fabrics are used in conjunction with this product: Medway, Roach, Roe.

### Specification:

The C56-90/120T overhead cassetted blind with Tracker Fabric Retaining System and crank control. Flame retardant fabric from the range, on a grooved 53/70mm aluminium barrel along with aluminium bottom bar as standard. The barrel, driven by a vandal resistant 1:5 gear control crank mechanism, operates the blind by means of tensioned spring units connected to the bottom bar. Twin black/white powder-coated aluminium headbox cassettes, side and bottom channels and bottom bar and incorporating a detachable crank handle.



## Cassetted Blind Profile Dimension Guide

Model	Cassette Size (HxD)	Barrel Size Ø	Side Channel Size (WxD)
C56-90T	105 x 95mm	53mm	50 x 24.8mm
C56-120T	140 x 120mm	53 / 70mm	50 x 24.8mm



## C57T Overhead Electric

### Features:

The C57T overhead electric cassetted blind comes with a 230v AC Tubular Motor as standard. At the touch of a button from the remote switch (sold separately), the blind can open and close, shading ceiling windows with ease. This blind is quietly drawn across the window by tensioned spring units. Fabric is neatly held in place and remains taut by the side channels. The powder-coated aluminium headbox provides a discreet and stylish solution for overhead shading. The C57T can be made to a maximum size of 3m X 3m.

### Benefits:

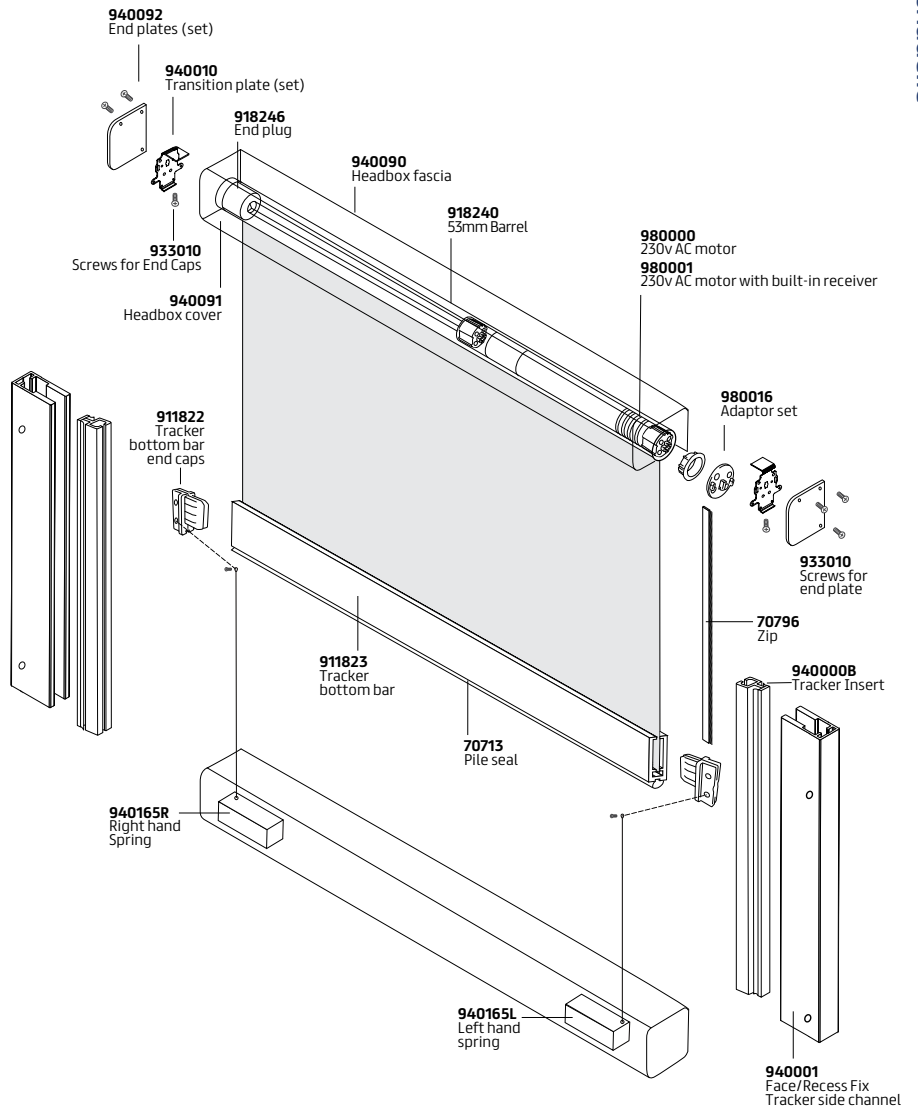
The C57T provides absolute control over the blind at the touch of a button due to the single channel hand held transmitter, making this blind easy to operate in otherwise difficult areas. The discreet and slim powder-coated aluminium headbox allows the blind to blend in with the interior design of the room whilst providing the shading solution required. This blind is bracket less which eliminates room for light-seepage and is simpler to install in comparison to other overhead blinds.

### Options:

Black or white hardware, hard-wired or RTS motor. It is recommended that only the following fabrics are used in conjunction with this product: Medway, Roach, Roe.

### Specification:

The C57-90/120T electric overhead cassetted blind with Tracker Fabric Retaining System. Flame retardant fabric from the range, on a grooved 53/70mm aluminium barrel along with aluminium bottom bar as standard. The barrel, driven by a 230v AC motor, operates the blind by means of tensioned spring units connected to the bottom bar. Twin black/white powder-coated aluminium headbox cassettes, side and bottom channels and bottom bar.



## Cassetted Blind Profile Dimension Guide

Model	Cassette Size (HxD)	Barrel Size Ø	Side Channel Size (WxD)
C57-90T	105 x 95mm	53mm	50 x 24.8mm
C57-120T	140 x 120mm	53 / 70mm	50 x 24.8mm

# Cassette Blinds

Cassette Blinds



## Laser Blinds For Operating Theatres

### Features:

The Laser Material provides protection from stray laser radiation and is available on a full spectrum of roller blinds. Designed to be used as passive guards in all areas where Class 3B or Class 4 lasers are regularly in use. The material is certified to EN 60824 -4 (Safety of Laser Products Part 4: Laser Guards) and is fire proof.

### Benefits:

Available on a full range of roller blind systems to ensure there is a solution to virtually all laser blocking requirements. All blinds are made to measure. Recommended systems are detailed below: R20; R20C; R40; R55; VPF; C74; C75.

### Options:

Laser fabric available in black; Suitable for chain, crank, and electric operation; Suitable for vision panel flaps.

### Specification:

Laser Material products for protection from stray laser radiation. Flame retardant fabric from laser fabric range, certified to EN60824-4 (Safety of Laser Products Part 4: Laser Guards).

Please refer to NBS Plus N10 240.

## Tracker Fabric Retaining System

### Features:

The unique Tracker Fabric Retaining System guarantees 100% fabric fastness and completely eradicates the common call-out problems of 'fabric blowing/been pushed out of the side channel'. The channel measures 50 x 24.8mm and is available in black or white hardware. Suitable for the C40/C44/C45, C47, C56T and C57T, the Tracker side channel will cater for both recess and face fix applications. Clever flexible plastic seals maintain constant fabric tension.

### Benefits:

The excellent performance characteristics of this unique side channel coupled with its ease of use means that it works with nearly all of the range of cassetted blinds. It is both popular and ideal for areas such as schools, colleges, universities and hospitals. The unique channel will cater for uneven reveals and provides maximum light exclusion.

### Options:

Available in black or white hardware.

### Specification:

C40T-60/90/120, C44T-90/120, C45T-60/90, C47T-90/120, C56/ C57T cassetted blind with Tracker Fabric Retaining System. Flame retardant fabric from the range, locked into grooved 32/40/45/53mm aluminium barrel along with aluminium bottom bar as standard. Black/white aluminium cassette, side channels and bottom bar are supported by sturdy brackets. Control options as directed.

Please refer to NBS Plus N10 240.



## Cassette Blind Specification Guide

Cassette blinds		Min Width	Max Width	Max Drop	Max m <sup>2</sup>
C20-60	Sidewinder 60mm Cassette	200	2050	2150	3.5
C20-90	Sidewinder 90mm Cassette	200	3450	4250	6.5
C20-120	Sidewinder 120mm Cassette	200	4700	5750	11.5
C22-60	Braked Spring 60mm Cassette	450	1850	2450	4.3
C24-90	Crank 90mm Cassette	200	3450	4250	6.5
C24-120	Crank 120mm Cassette	200	4700	5750	10.0
C25-60	Electric 24v 60mm Cassette	500	2650	2350	7.0
C25-90	Electric 24v 90mm Cassette	500	2650	3350	7.0
C27-90	Electric 230v 90mm Cassette	570	3450	3450	10.0
C27-120	Electric 230v 120mm Cassette	570	4700	5750	11.5

Based on fabric weight of 400g/m<sup>2</sup>, e.g. Dart. Larger sizes may be possible with lighter/thinner fabrics.

Cassette blinds with side channels		Min Width	Max Width	Max Drop	Max m <sup>2</sup>
C40-60	Sidewinder 60mm Cassette with Side Channels	200	2050	2000	3.5
C40-90	Sidewinder 90mm Cassette with Side Channels	200	3450	3250	6.5
C40-120	Sidewinder 120mm Cassette with Side Channels	200	4700	5000	11.5
C42-60	Braked Spring 60mm Cassette with Side Channels	500	1850	2000	3.7
C44-90	Crank 90mm Cassette with Side Channels	200	3450	3250	5.5
C44-120	Crank 120mm Cassette with Side Channels	200	4700	5000	10.0
C45-60	Electric 24v 60mm Cassette with Side Channels	500	2650	1500	3.9
C45-90	Electric 24v 90mm Cassette with Side Channels	500	2650	2000	6.6
C47-90	Electric 230v 90mm Cassette with Side Channels	570	3450	2450	9.0
C47-120	Electric 230v 120mm Cassette with Side Channels	570	4700	5000	11.5

Based on fabric weight of 400g/m<sup>2</sup>, e.g. Dart. Larger sizes may be possible with lighter/thinner fabrics.

Cassette blinds with tracker side channels		Min Width	Max Width	Max Drop	Max m <sup>2</sup>
C40-60T	Sidewinder 60mm Cassette with Tracker Side Channels	200	1000	1500	1.5
C40-90T	Sidewinder 90mm Cassette with Tracker Side Channels	200	2000	2000	3.0
C40-120T	Sidewinder 120mm Cassette with Tracker Side Channels	200	3450	3450	10.5
C44-90T	Crank 90mm Cassette with Tracker Side Channels	200	3450	2850	5.5
C44-120T	Crank 120mm Cassette with Tracker Side Channels	200	3450	3450	9.0
C45-60T	Electric 24v 60mm Cassette with Tracker Side Channels	500	2650	1000	2.65
C45-90T	Electric 24v 90mm Cassette with Tracker Side Channels	500	2650	2000	5.3
C47-90T	Electric 230v 90mm Cassette with Tracker Side Channels	570	3450	2450	8.45
C47-120T	Electric 230v 120mm Cassette with Tracker Side Channels	570	3450	3450	10.0

Based on fabric weight of 400g/m<sup>2</sup>, e.g. Dart. Larger sizes may be possible with lighter/thinner fabrics.

Cassette blinds with tracker side channels		Min Width	Max Width	Max Drop	Max m <sup>2</sup>
C56-90T	Crank 90mm Overhead Cassette with Tracker Side Channels	600	2400	3000	7.2
C56-120T	Crank 120mm Overhead Cassette with Tracker Side Channels	600	3000	3600	10.8
C57-90T	Electric 230v 90mm Overhead Cassette with Tracker Side Channels	800	2400	3000	7.2
C57-120T	Electric 230v 120mm Overhead Cassette with Tracker Side Channels	800	3000	3600	10.8

Based on fabric weight of 400g/m<sup>2</sup>, e.g. Dart. Larger sizes may be possible with lighter/thinner fabrics.



## Blackout Units

All blinds are carefully built to exacting standards, giving years of trouble-free service. The superior design features and quality components enable them to be confidently specified for the most demanding environments.

Many blinds feature vandal-resistant controls and mechanisms, and are frequently seen in hospitals, schools, colleges and other public buildings, as well as the regular commercial and residential environments.

Blackout units offer you the ultimate in light exclusion providing exceptional performance of 100% light block where such criteria is a minimum requirement. Incorporating pile seals, light-transfer baffles and a positive consistent fabric tension, the C7 range is the blackout system of choice for many contract applications. You can find them regularly in use in operating theatres, drama studios, school halls, home cinemas and the like.

The full range is distributed globally through a network of partners providing an unrivalled level of support, and with experienced installation and service teams to exceed your expectations.

<b>C74 Crank Blackout</b>	<b>37</b>
<b>C75 Electric Blackout</b>	<b>38</b>
<b>C76 Overhead Crank Blackout</b>	<b>39</b>
<b>C77 Overhead Electric Blackout</b>	<b>40</b>
<b>Specification Guide</b>	<b>41</b>



this blackout unit range comes with a Full Lifetime Warranty as standard.

